

Rückschlagklappe, weichdichtend / Check valve, soft seated PA-4100.125.E / PA-4100.126.E

Technische Daten

Bauform

Flanschen Rückschlagklappe

Innenliegende Welle

Baulänge nach EN 558-1 Gr 48 (F6)

DN 50 - 150: PN 16

DN 200 - 300: PN 10 oder PN 16

Specification

Design

Check valve with flanges

Inside stem

Face to face acc. to EN 558-1 series 48 (F6)

DN 50 - 150: PN 16

DN 200 - 300: PN 10 or PN 16

Typ PA-4100.125.E

Gehäuse: GGG-50,
 EKB-Beschichtung min 250µm
 entsprechend GSK

Klappenscheibe: GGG-50,
 EPDM ummantelt

Welle: AISI 420

Typ PA-4100.125.E

Body: GGG-50,
 EKB—coating min 250µm
 according to GSK

Disc: GGG-50, EPDM covered

Shaft: AISI 420

Typ PA-4100.126.E

Gehäuse: GGG-50,
 EKB-Beschichtung min 250µm
 entsprechend GSK

Klappenscheibe: GGG-50,
 EPDM ummantelt

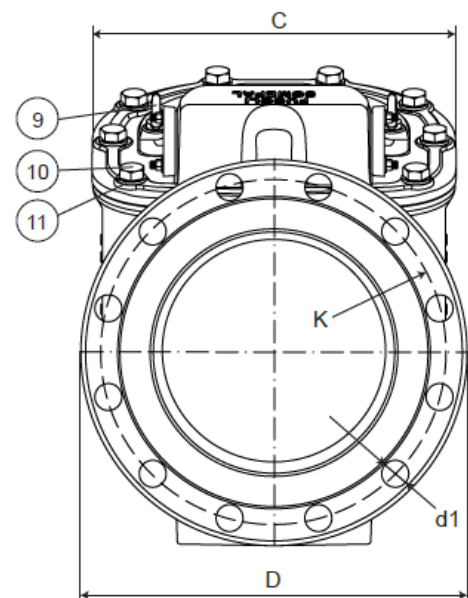
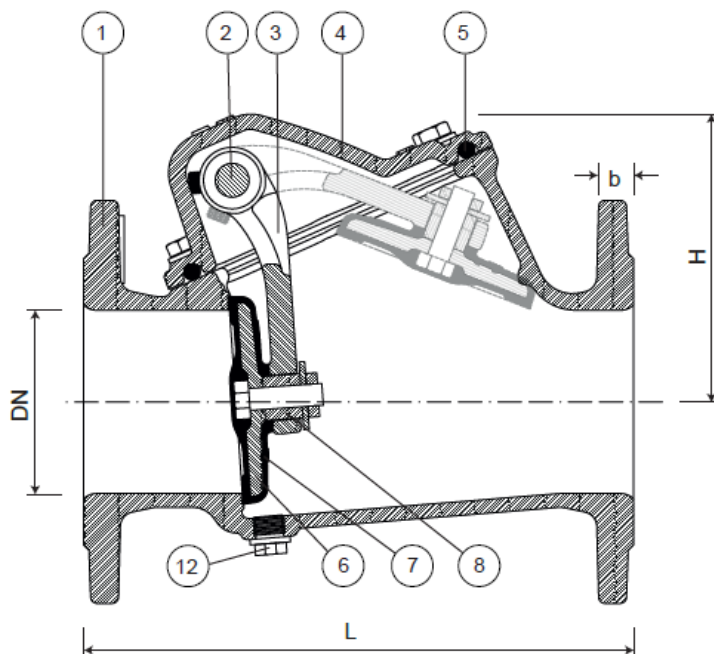
Welle: Edelstahl AISI 316

Typ PA-4100.126.E

Body: GGG-50,
 EKB—coating min 250µm
 according to GSK

Disc: GGG-50, EPDM covered

Shaft: stainless steel AISI 316



Component list

pos.	components	material	standard	pos.	components	material	standard
1	Body	Ductile iron EN-GJS-500-7	EN 1563	7	Obturator covering	Elastomer EPDM	EN 681 - 1
2	Shaft	Stainless steel AISI 420	EN 10088 - 1	8	Spacer	POM	
3	Arm	Ductile iron EN-GJS-500-7	EN 1563	9	Lifting eyes (from DN 200)	Stainless steel A2	EN 10088 - 1
4	Bonnet	Ductile iron EN-GJS-500-7	EN 1563	10	Bolts	Stainless steel A2	EN 10088 - 1
5	Bonnet gasket	Elastomer EPDM	EN 681 - 1	11	Washers	Stainless steel A2	EN 10088 - 1
6	Obturator	Ductile iron EN-GJS-500-7	EN 1563	12	Plug (option)	Stainless steel A4	EN 10088 - 1

Reference and dimensions

DN	PN	code	D mm	L mm	H mm	C mm	K mm	n° x d1 mm	b mm	Kg approx.
50	10/16	10752710	165	200	108	110	125	4 x 19	19	9
60	10/16	10752715	175	240	119	123	135	4 x 19	19	11
65	10/16	10752720	185	240	119	123	145	4 x 19	19	12
80	10/16	10752725	200	260	137	140	160	8 x 19	19	15
100	10/16	10752730	220	300	157	168	180	8 x 19	19	20
125	10/16	10752735	250	350	185	215	210	8 x 19	19	30
150	10/16	10752740	285	400	210	242	240	8 x 23	19	41
200	10	10752745	340	500	242	295	295	8 x 23	20	64
200	16	10752750	340	500	242	295	295	12 x 23	20	68
250	10	10752755	400	600	296	377	350	12 x 23	22	94
250	16	10752760	400	600	296	377	355	12 x 28	22	94
300	10	10752765	455	700	325	427	400	12 x 23	25	136
300	16	10752770	455	700	325	427	410	12 x 28	25	136